
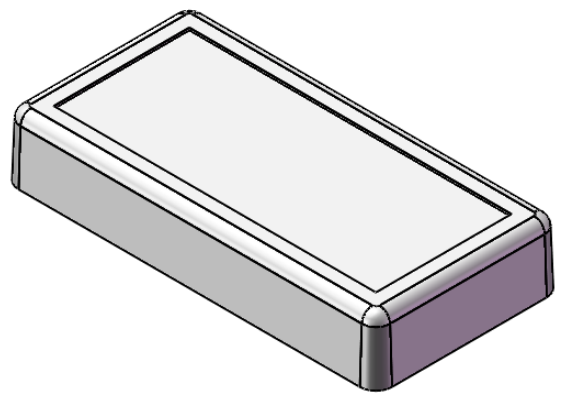
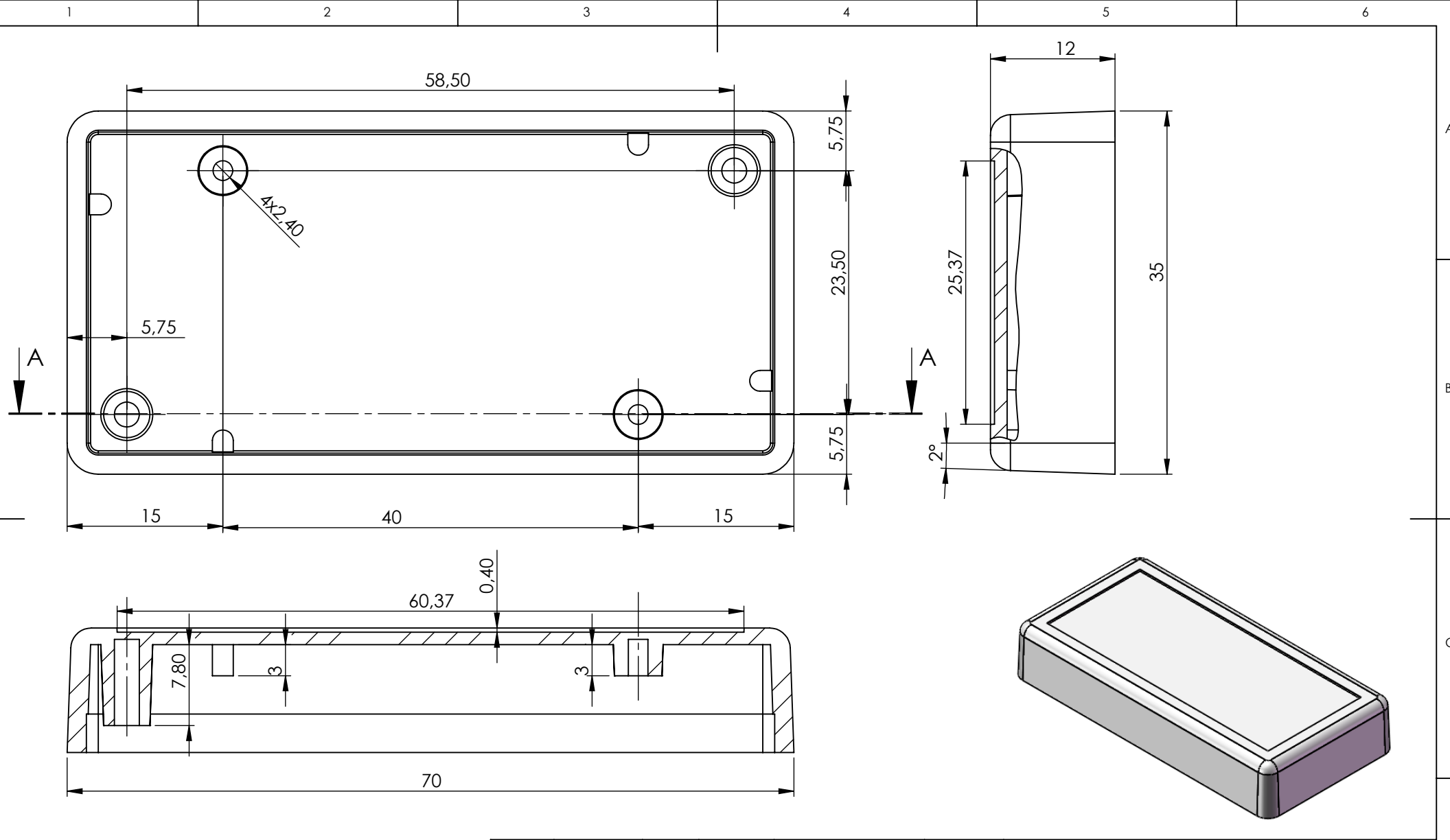

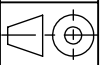


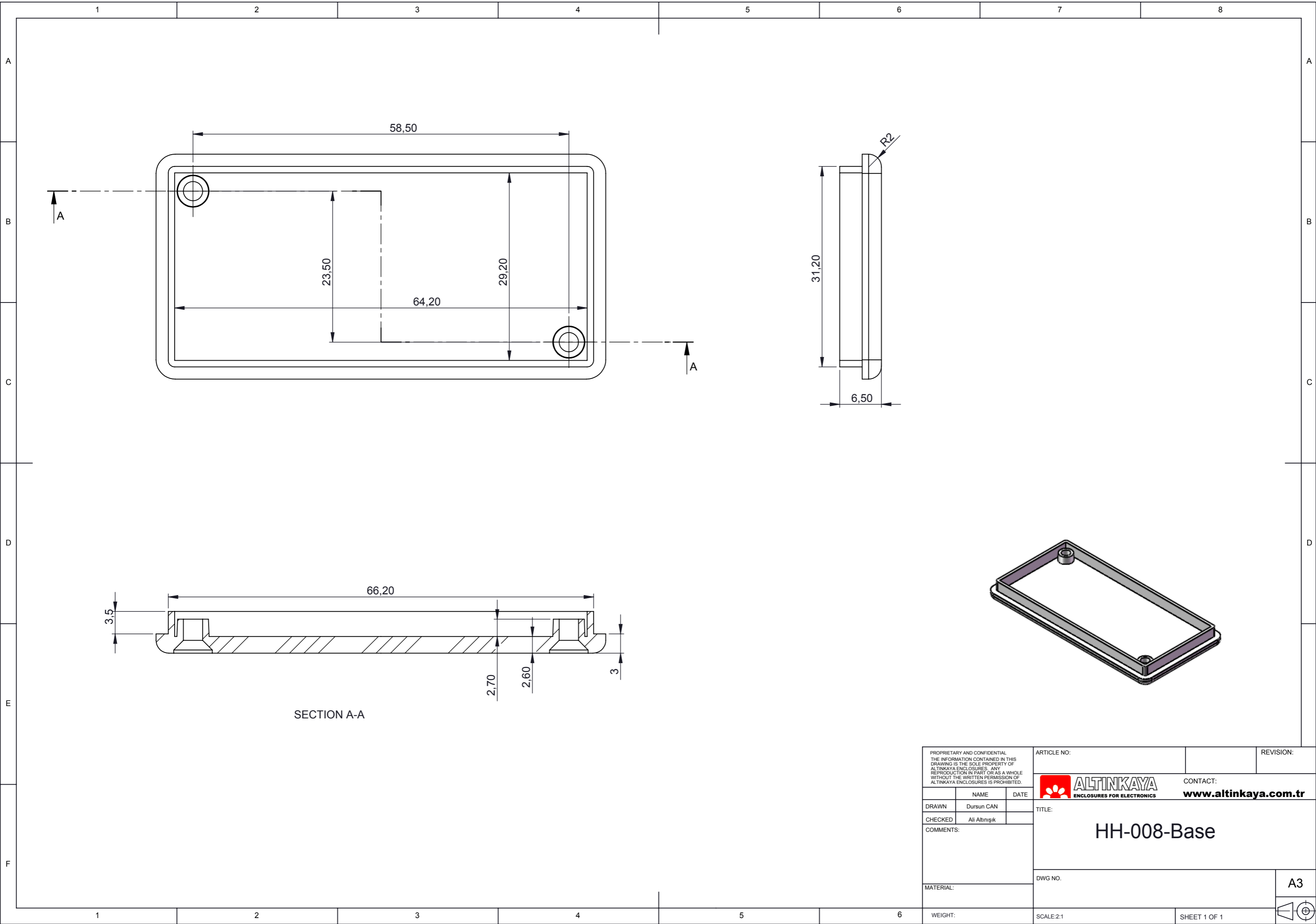
	NAME	DATE	ARTICLE NO:	REVISION:	TITLE:
DRAWN	Dursun CAN				
CHECKED	Ali Altınışık		COMMENTS:		
 ALTINKAYA ENCLOSURES FOR ELECTRONICS www.altinkaya.com.tr			DIMENSIONS ARE IN MILLIMETERS. DEBUR AND BREAK SHARP EDGES		
PROPRIETARY AND CONFIDENTIAL THE INFORMATION CONTAINED IN THIS DRAWING IS THE SOLE PROPERTY OF ALTINKAYA ENCLOSURES. ANY REPRODUCTION IN PART OR AS A WHOLE WITHOUT THE WRITTEN PERMISSION OF ALTINKAYA ENCLOSURES IS PROHIBITED.			DWG NO. HH008-Assembly		A4
MATERIAL:			WEIGHT:	SCALE:1:1	SHEET 1 OF 1




SECTION A-A
SCALE 2 : 1

	NAME	DATE	ARTICLE NO:	REVISION:	TITLE:
DRAWN	Dursun CAN				HH-008-Cover
CHECKED	Ali Altınışık				
 ALTINKAYA ENCLOSURES FOR ELECTRONICS www.altinkaya.com.tr			COMMENTS: DIMENSIONS ARE IN MILLIMETERS. DEBUR AND BREAK SHARP EDGES		DWG NO.
PROPRIETARY AND CONFIDENTIAL THE INFORMATION CONTAINED IN THIS DRAWING IS THE SOLE PROPERTY OF ALTINKAYA ENCLOSURES. ANY REPRODUCTION IN PART OR AS A WHOLE WITHOUT THE WRITTEN PERMISSION OF ALTINKAYA ENCLOSURES IS PROHIBITED.			MATERIAL:		A4
			WEIGHT:		SCALE:1:1
					SHEET 1 OF 1





<small>PROPRIETARY AND CONFIDENTIAL THE INFORMATION CONTAINED IN THIS DRAWING IS THE SOLE PROPERTY OF ALTINKAYA ENCLOSURES. ANY REPRODUCTION IN PART OR AS A WHOLE WITHOUT THE WRITTEN PERMISSION OF ALTINKAYA ENCLOSURES IS PROHIBITED.</small>			ARTICLE NO:	REVISION:
<small>DRAWN</small> Dursun CAN			 CONTACT: www.altinkaya.com.tr	TITLE: <h2>HH-008-Base</h2>
<small>CHECKED</small> Ali Altınışık				
<small>COMMENTS:</small>			<small>DWG NO.</small>	A3
<small>MATERIAL:</small>			<small>SCALE:</small> 2:1	<small>SHEET</small> 1 OF 1
<small>WEIGHT:</small>			