
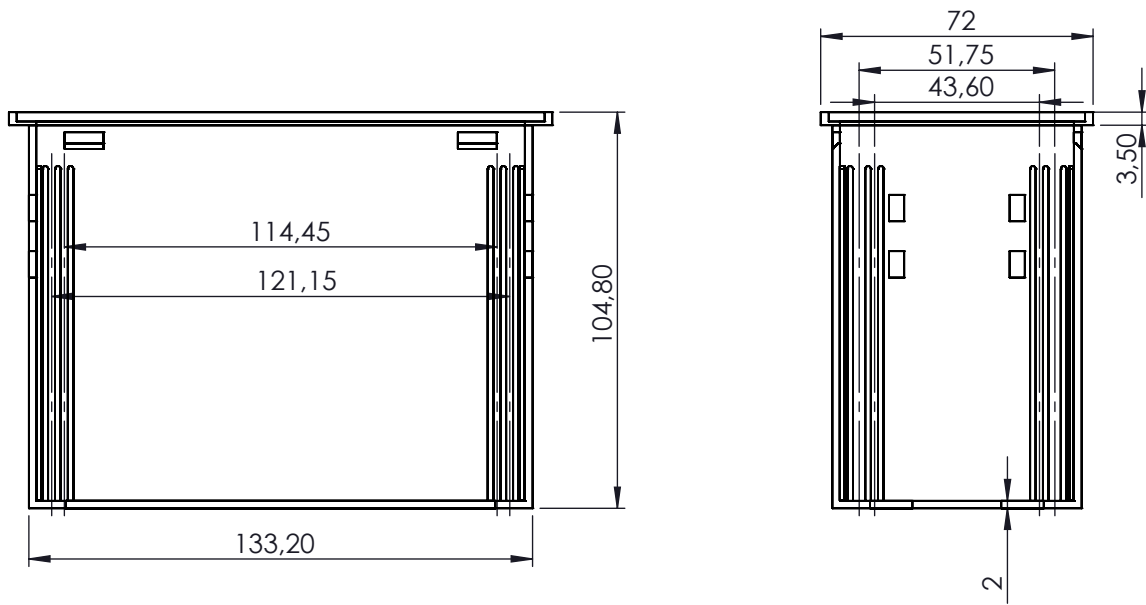


<small>PROPRIETARY AND CONFIDENTIAL THE INFORMATION CONTAINED IN THIS DRAWING IS THE SOLE PROPERTY OF ALTINKAYA ENCLOSURES. ANY REPRODUCTION IN PART OR AS A WHOLE WITHOUT THE WRITTEN PERMISSION OF ALTINKAYA ENCLOSURES IS PROHIBITED.</small>			ARTICLE NO.:	REVISION:
<small>DRAWN</small> Dursun CAN			 CONTACT: www.altinkaya.com.tr	TITLE:
<small>CHECKED</small> Ali Altınışık				
<small>COMMENTS:</small>			DWG NO. PT-210-Assembly	A3
<small>MATERIAL:</small>				
<small>WEIGHT:</small>			SCALE:1:2	SHEET 1 OF 1

1 2 3 4 5 6

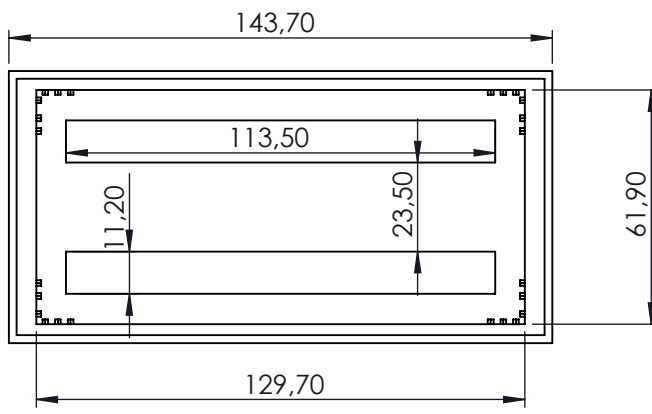
A

A



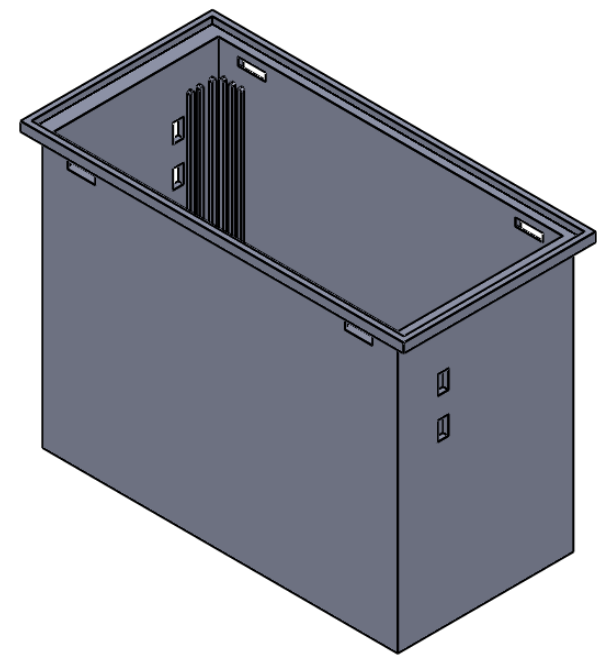
B

B




C

C

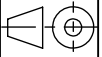


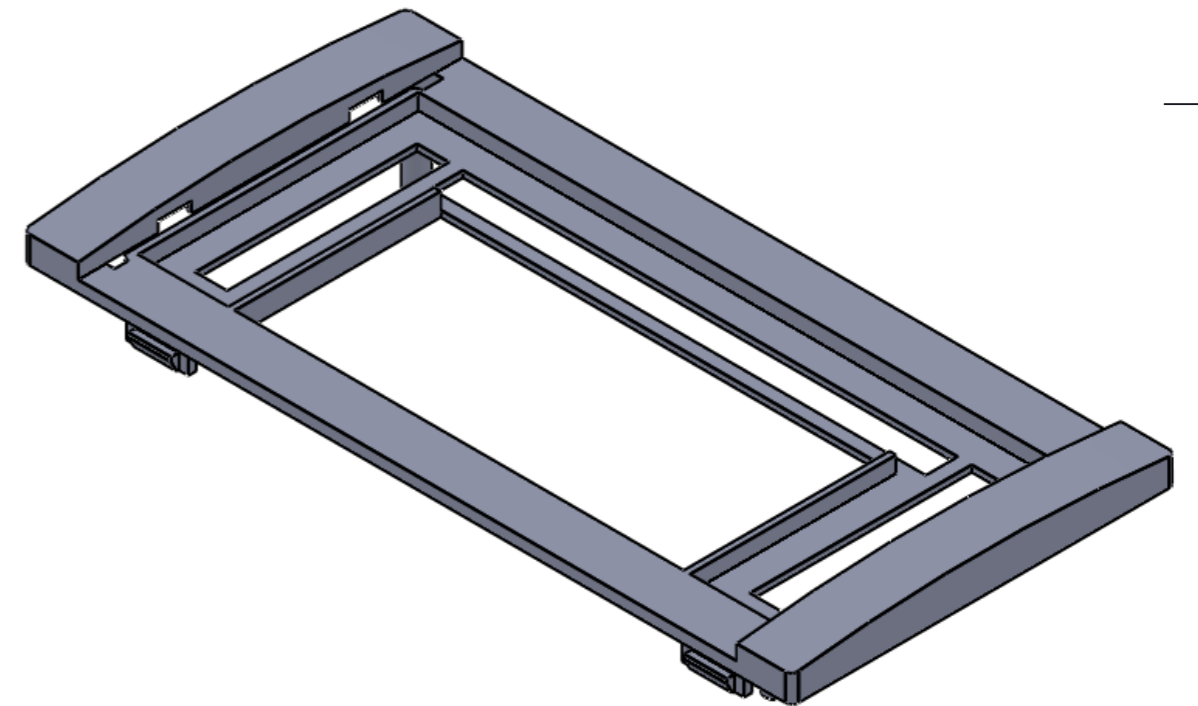
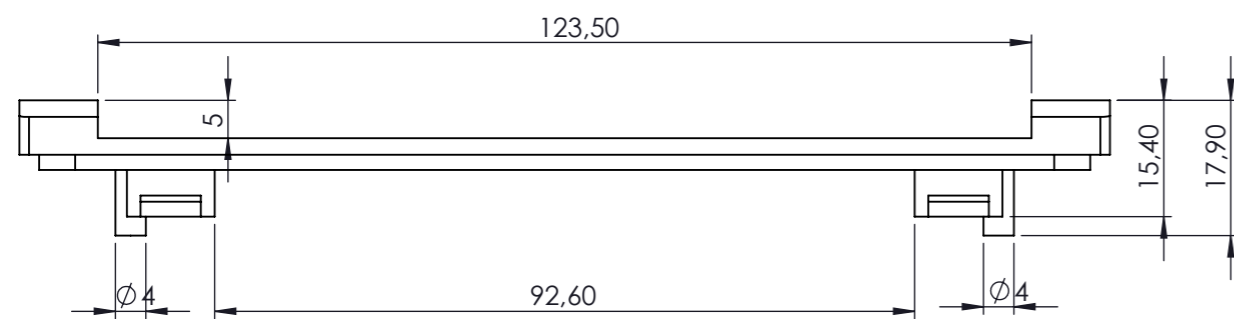
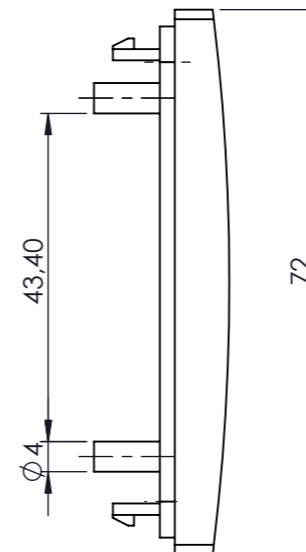
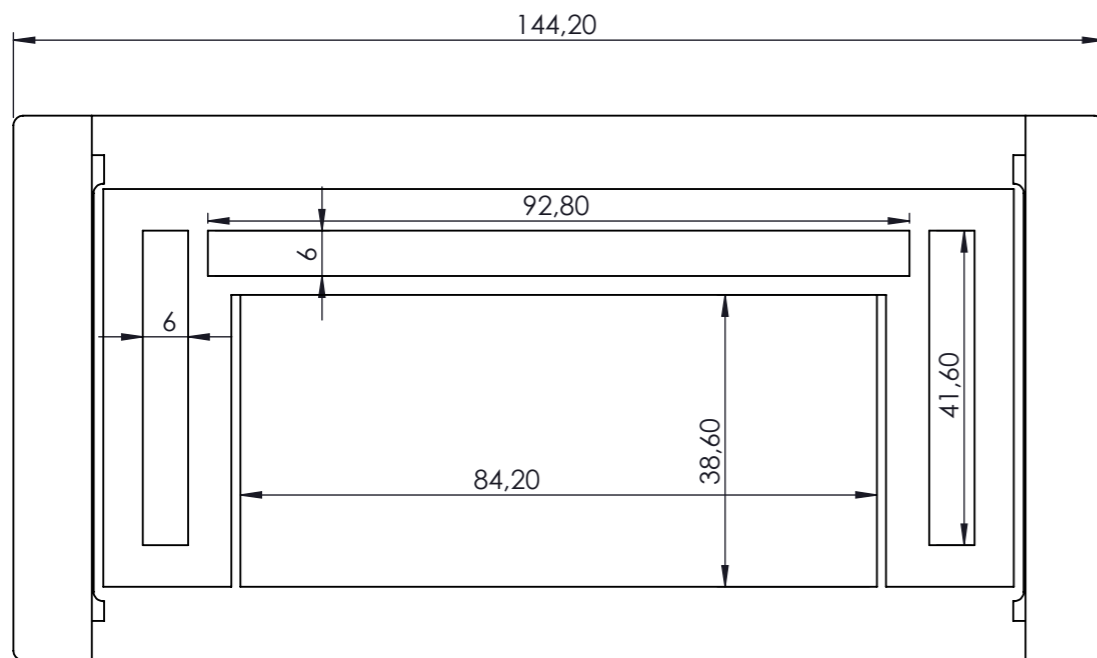
D


D

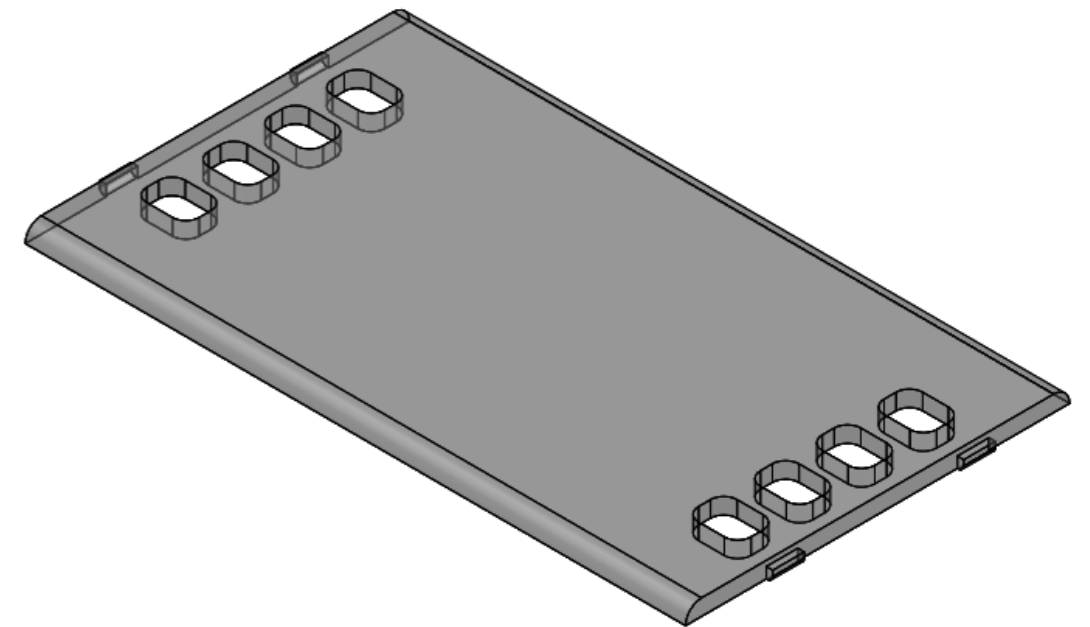
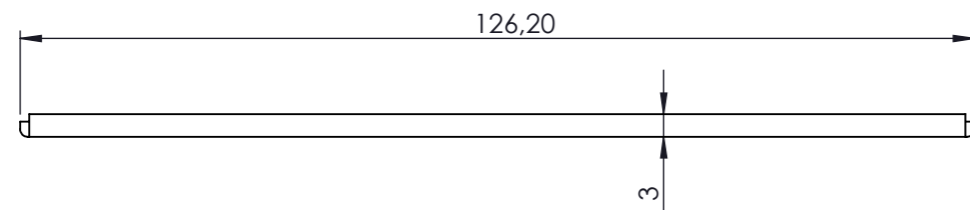
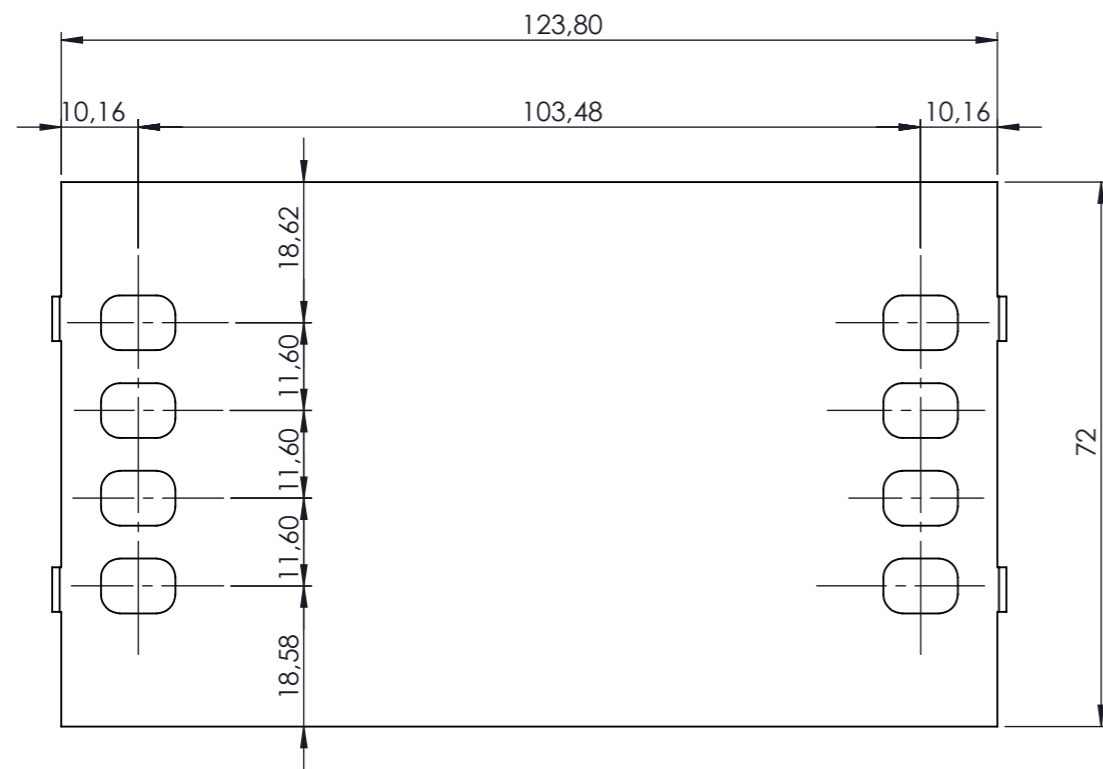
	NAME	DATE	ARTICLE NO:	REVISION:	TITLE:
DRAWN	Dursun CAN				
CHECKED	Ali Altınışık		COMMENTS:		
 www.altinkaya.com.tr			DIMENSIONS ARE IN MILLIMETERS. DEBUR AND BREAK SHARP EDGES		
PROPRIETARY AND CONFIDENTIAL THE INFORMATION CONTAINED IN THIS DRAWING IS THE SOLE PROPERTY OF ALTINKAYA ENCLOSURES. ANY REPRODUCTION IN PART OR AS A WHOLE WITHOUT THE WRITTEN PERMISSION OF ALTINKAYA ENCLOSURES IS PROHIBITED.			DWG NO.		PT-210-Body
			MATERIAL:	WEIGHT:	A4
				SCALE:1:2	SHEET 1 OF 1


1 2

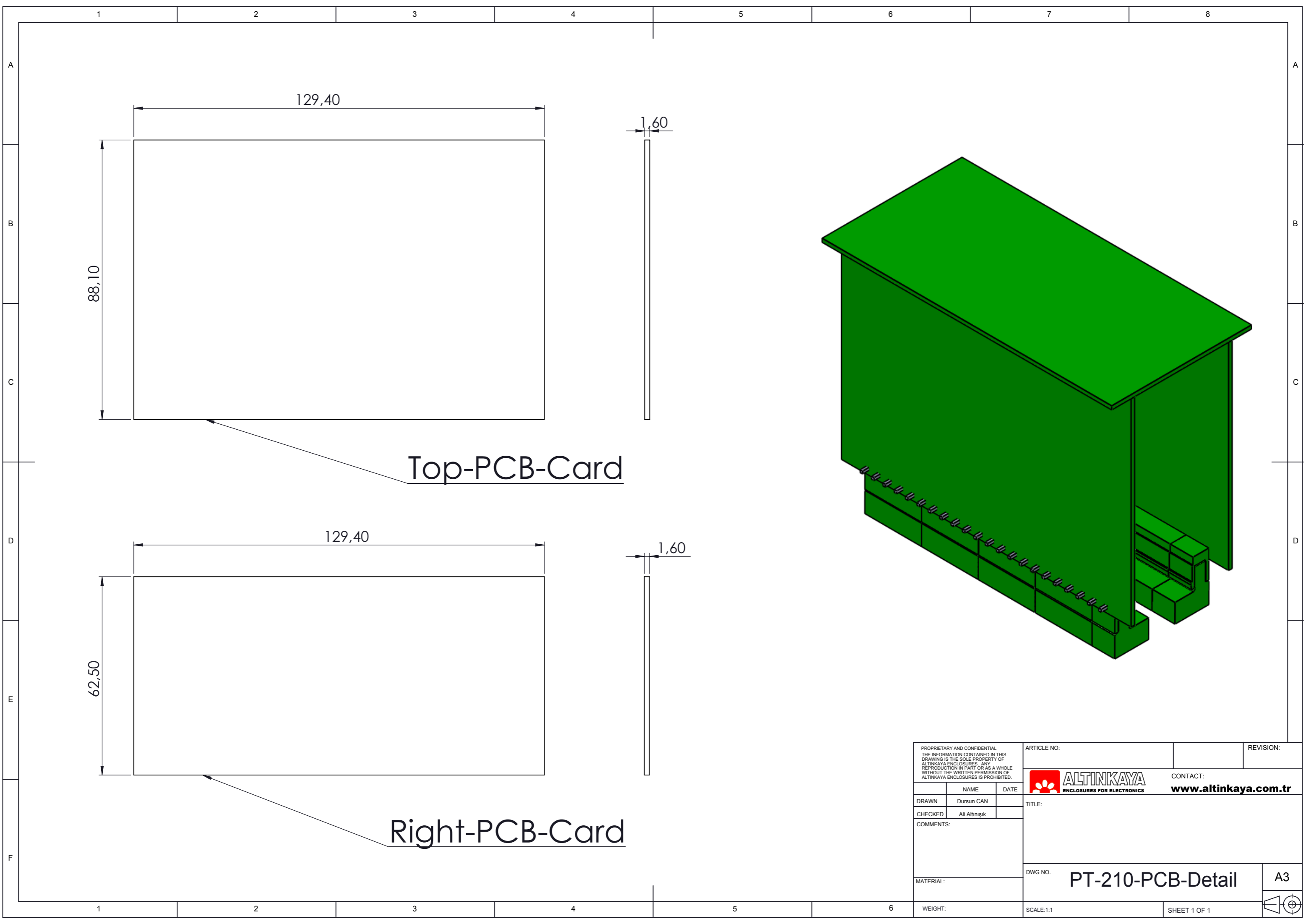




<small>PROPRIETARY AND CONFIDENTIAL THE INFORMATION CONTAINED IN THIS DRAWING IS THE SOLE PROPERTY OF ALTINKAYA ENCLOSURES. ANY REPRODUCTION IN PART OR AS A WHOLE WITHOUT THE WRITTEN PERMISSION OF ALTINKAYA ENCLOSURES IS PROHIBITED.</small>		ARTICLE NO.:	REVISION:
<small>DRAWN</small> Dursun CAN		 ENCLOSURES FOR ELECTRONICS	<small>CONTACT:</small> www.altinkaya.com.tr
<small>CHECKED</small> Ali Altınışık		<small>TITLE:</small>	
<small>COMMENTS:</small>		<small>DWG NO.</small> PT-210-Panel	
<small>MATERIAL:</small>		<small>A3</small>	
<small>WEIGHT:</small>		<small>SCALE:</small> 1:1	<small>SHEET</small> 1 OF 1




PROPRIETARY AND CONFIDENTIAL THE INFORMATION CONTAINED IN THIS DRAWING IS THE SOLE PROPERTY OF ALTINKAYA ENCLOSURES. ANY REPRODUCTION IN PART OR AS A WHOLE WITHOUT THE WRITTEN PERMISSION OF ALTINKAYA ENCLOSURES IS PROHIBITED.		ARTICLE NO.:	REVISION:
DRAWN: Dursun CAN CHECKED: Ali Altınışık COMMENTS:		 ALTINKAYA ENCLOSURES FOR ELECTRONICS	CONTACT: www.altinkaya.com.tr
MATERIAL:		TITLE:	
WEIGHT:		DWG NO. PT-210-Glass	A3
SCALE: 1:1		SHEET 1 OF 1	



Top-PCB-Card

Right-PCB-Card

<small>PROPRIETARY AND CONFIDENTIAL THE INFORMATION CONTAINED IN THIS DRAWING IS THE SOLE PROPERTY OF ALTINKAYA ENCLOSURES. ANY REPRODUCTION IN PART OR AS A WHOLE WITHOUT THE WRITTEN PERMISSION OF ALTINKAYA ENCLOSURES IS PROHIBITED.</small>			ARTICLE NO.:	REVISION:
<small>DRAWN</small> Dursun CAN			 ALTINKAYA ENCLOSURES FOR ELECTRONICS	CONTACT: www.altinkaya.com.tr
<small>CHECKED</small> Ali Altınışık				TITLE:
<small>COMMENTS:</small>			DWG NO. PT-210-PCB-Detail	A3
<small>MATERIAL:</small>			SCALE:1:1	SHEET 1 OF 1
<small>WEIGHT:</small>			