
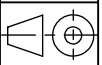
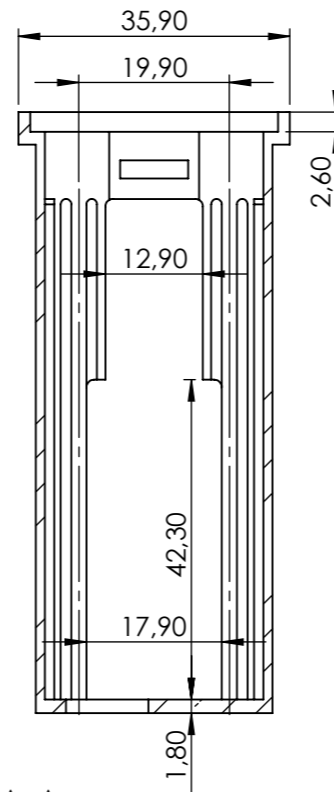
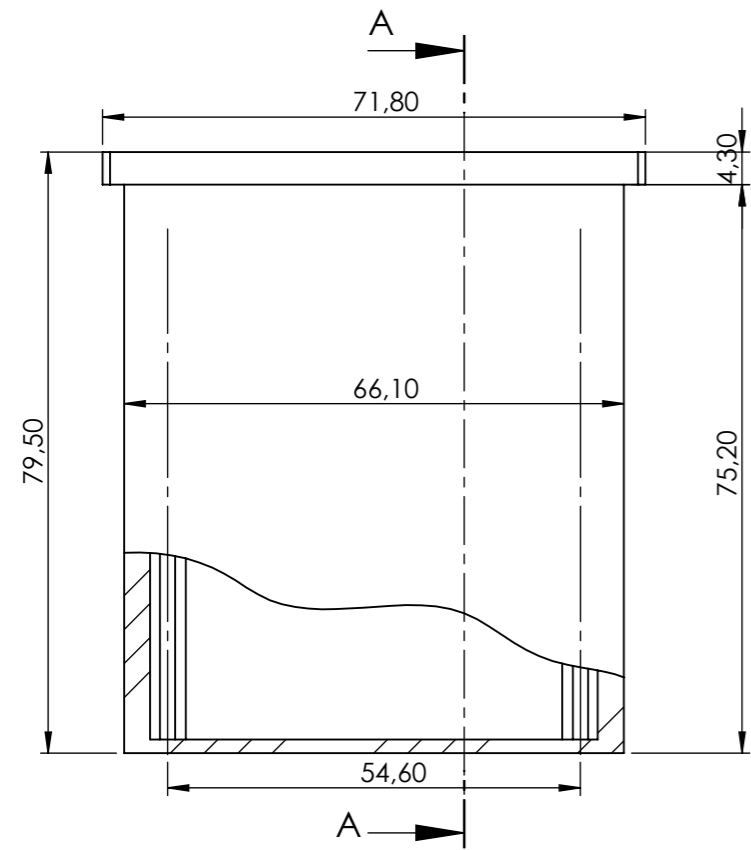
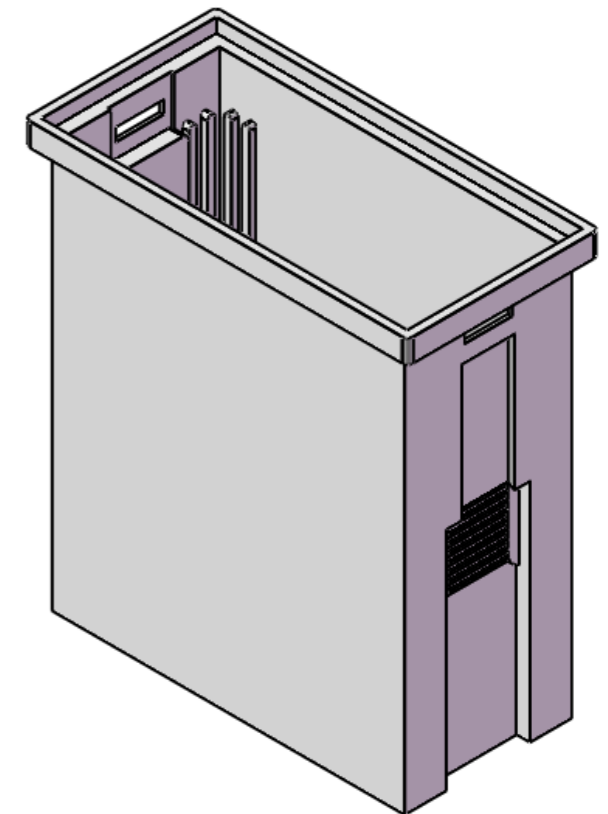
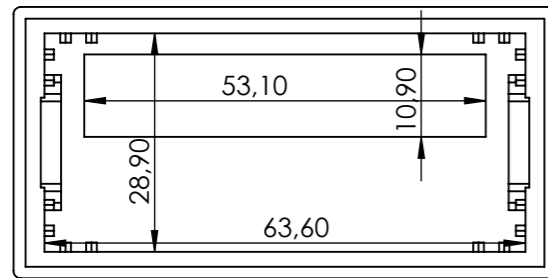




	NAME	DATE	ARTICLE NO:	REVISION	TITLE:
DRAWN	Dursun CAN			:	
CHECKED	Ali Altınışık		COMMENTS:		
 www.altinkaya.com.tr			DIMENSIONS ARE IN MILLIMETERS. DEBUR AND BREAK SHARP EDGES		
PROPRIETARY AND CONFIDENTIAL <small>THE INFORMATION CONTAINED IN THIS DRAWING IS THE SOLE PROPERTY OF ALTINKAYA ENCLOSURES. ANY REPRODUCTION IN PART OR AS A WHOLE WITHOUT THE WRITTEN PERMISSION OF ALTINKAYA ENCLOSURES IS PROHIBITED.</small>			DWG NO. PT-125-24-Assembly		A4
MATERIAL:			WEIGHT:		SCALE:1:2
					SHEET 1 OF 1

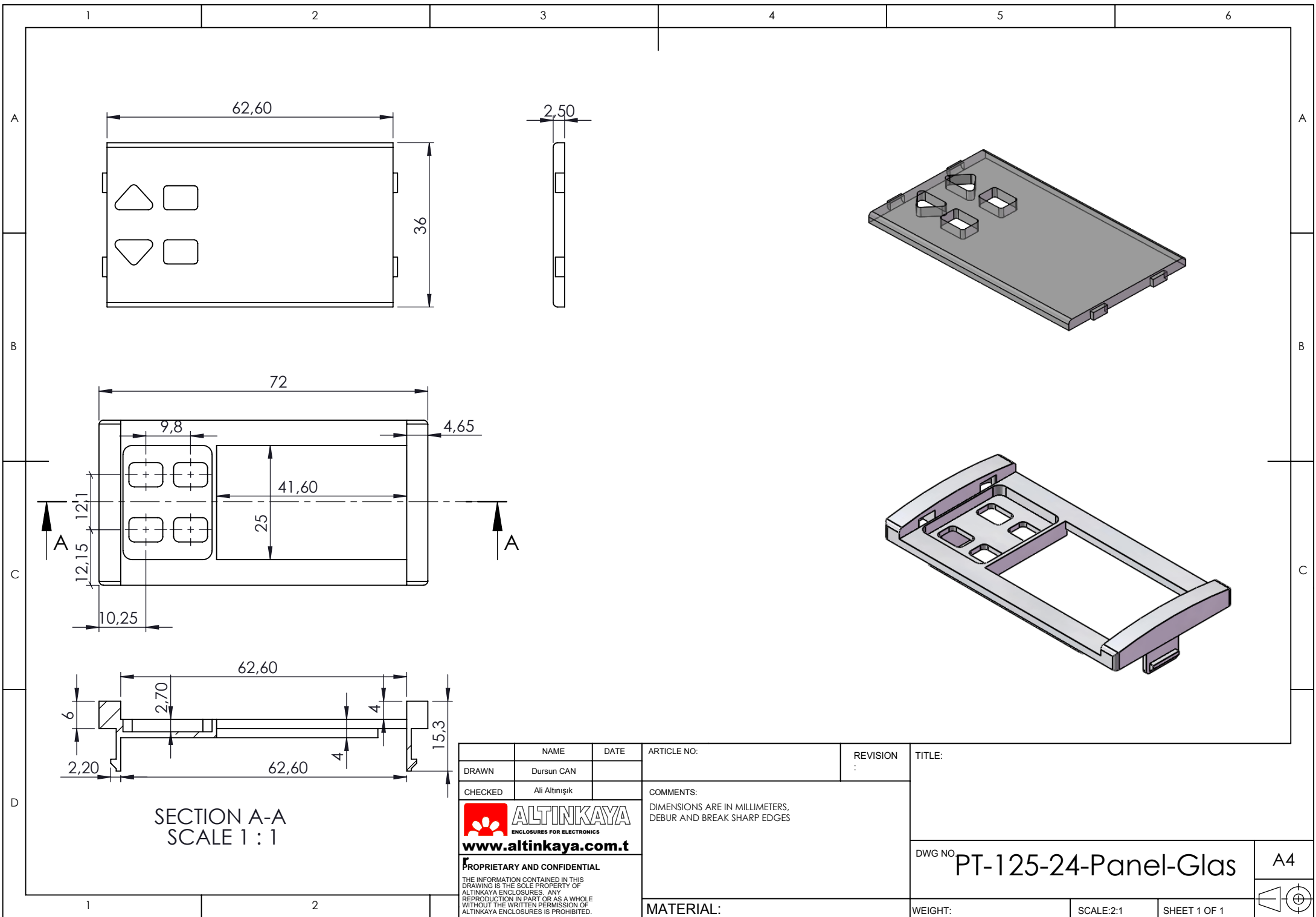





SECTION A-A



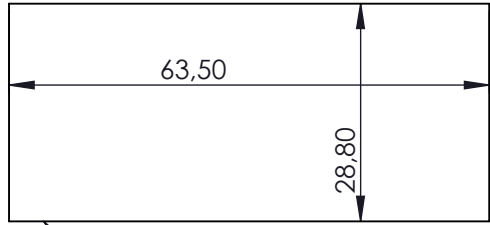
<small>PROPRIETARY AND CONFIDENTIAL THE INFORMATION CONTAINED IN THIS DRAWING IS THE SOLE PROPERTY OF ALTINKAYA ENCLOSURES. ANY REPRODUCTION IN PART OR AS A WHOLE WITHOUT THE WRITTEN PERMISSION OF ALTINKAYA ENCLOSURES IS PROHIBITED.</small>		ARTICLE NO.:	REVISION:
<small>DRAWN</small> Dursun CAN		 ALTINKAYA ENCLOSURES FOR ELECTRONICS	CONTACT: www.altinkaya.com.tr
<small>CHECKED</small> Ali Altınışık			TITLE:
<small>COMMENTS:</small>		DWG NO. PT-125-24-Body	A3
<small>MATERIAL:</small>		SCALE:1:1	SHEET 1 OF 1
<small>WEIGHT:</small>			



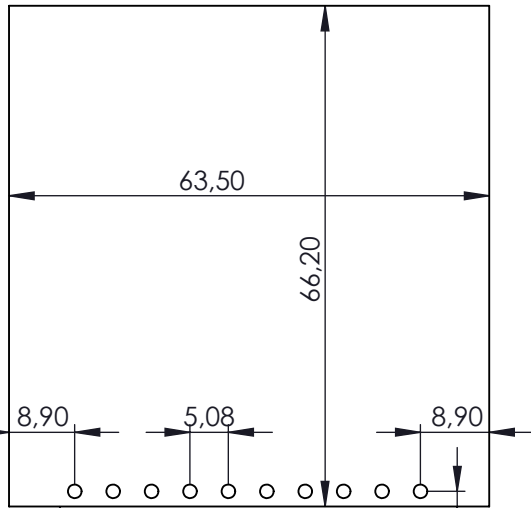
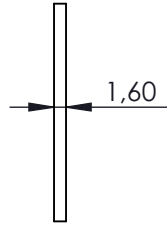
SECTION A-A
SCALE 1 : 1

	NAME	DATE	ARTICLE NO:	REVISION	TITLE:
DRAWN	Dursun CAN			:	
CHECKED	Ali Altınışık		COMMENTS:		
 www.altinkaya.com.tr			DIMENSIONS ARE IN MILLIMETERS. DEBUR AND BREAK SHARP EDGES		
PROPRIETARY AND CONFIDENTIAL THE INFORMATION CONTAINED IN THIS DRAWING IS THE SOLE PROPERTY OF ALTINKAYA ENCLOSURES. ANY REPRODUCTION IN PART OR AS A WHOLE WITHOUT THE WRITTEN PERMISSION OF ALTINKAYA ENCLOSURES IS PROHIBITED.			MATERIAL:		

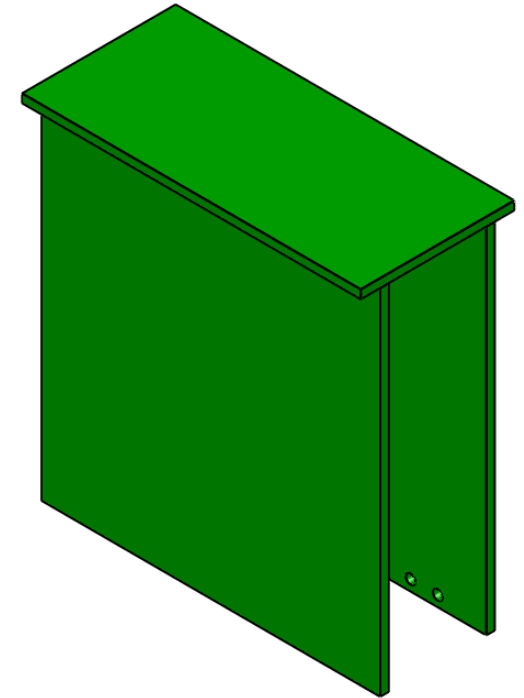
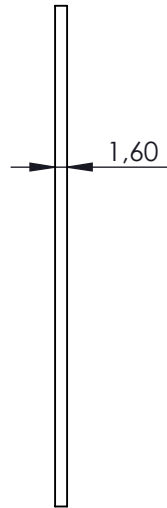
DWG NO: PT-125-24-Panel-Glas		A4
WEIGHT:	SCALE:2:1	SHEET 1 OF 1




Top-PCB-Card



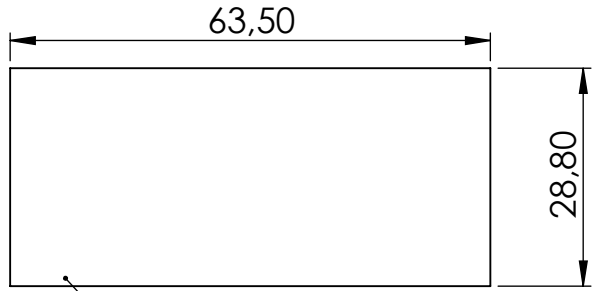
Right-PCB-Card



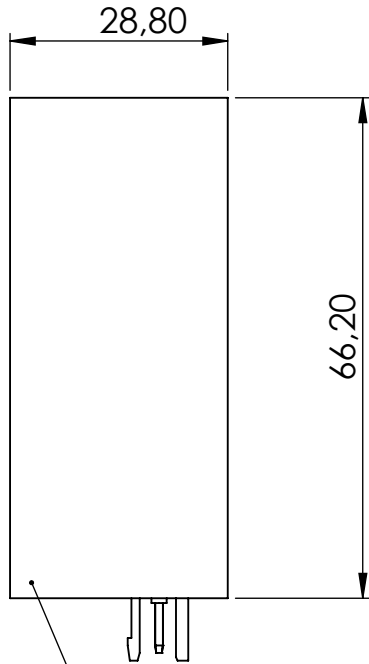
	NAME	DATE	ARTICLE NO:	REVISION	TITLE:
DRAWN	Dursun CAN			:	
CHECKED	Ali Altınışık		COMMENTS:		
 www.altinkaya.com.tr			DIMENSIONS ARE IN MILLIMETERS. DEBUR AND BREAK SHARP EDGES		
PROPRIETARY AND CONFIDENTIAL <small>THE INFORMATION CONTAINED IN THIS DRAWING IS THE SOLE PROPERTY OF ALTINKAYA ENCLOSURES. ANY REPRODUCTION IN PART OR AS A WHOLE WITHOUT THE WRITTEN PERMISSION OF ALTINKAYA ENCLOSURES IS PROHIBITED.</small>			MATERIAL:		

DWG NO PT-125-24-PCB-Model-1		A4
WEIGHT:	SCALE:1:2	SHEET 1 OF 1

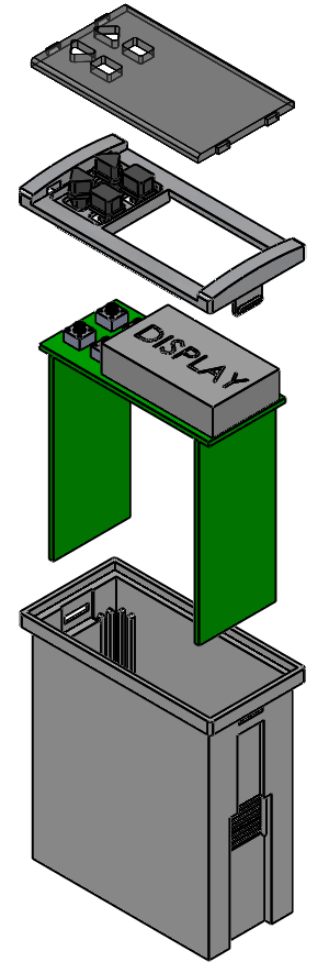
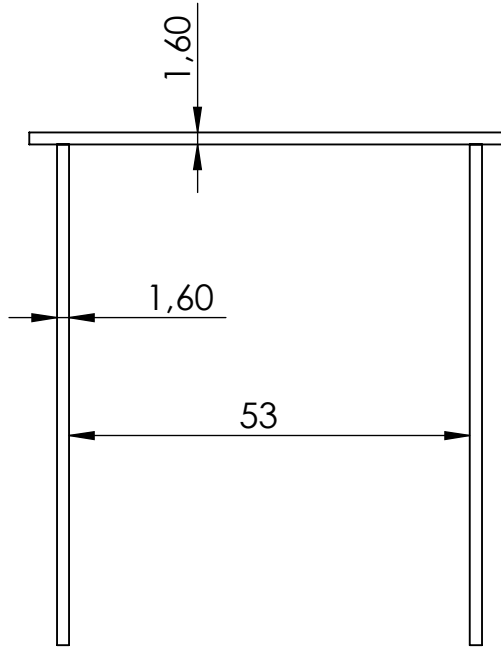





Top PCB Card



Right PCB Card



	NAME	DATE	ARTICLE NO:	REVISION	TITLE:
DRAWN	Dursun CAN			:	
CHECKED	Ali Altınışık		COMMENTS:		


ALTINKAYA
 ENCLOSURES FOR ELECTRONICS
www.altinkaya.com.tr

PROPRIETARY AND CONFIDENTIAL
 THE INFORMATION CONTAINED IN THIS DRAWING IS THE SOLE PROPERTY OF ALTINKAYA. ENCLOSURES: ANY REPRODUCTION IN PART OR AS A WHOLE WITHOUT THE WRITTEN PERMISSION OF ALTINKAYA ENCLOSURES IS PROHIBITED.

COMMENTS:
 DIMENSIONS ARE IN MILLIMETERS, DEBUR AND BREAK SHARP EDGES

MATERIAL:

DWG NO		PT-125-24-PCB-Model-2		A4
WEIGHT:	SCALE:1:5	SHEET 1 OF 1		

