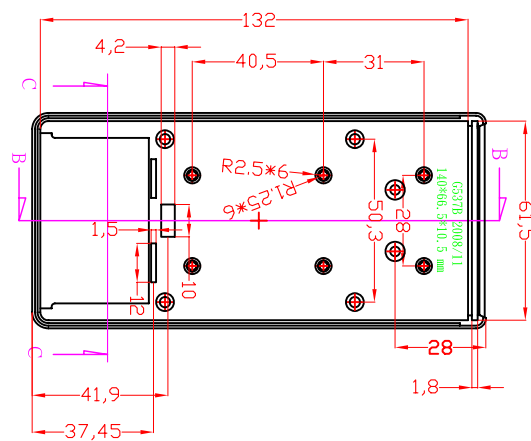
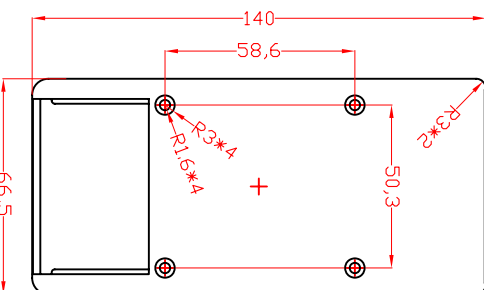
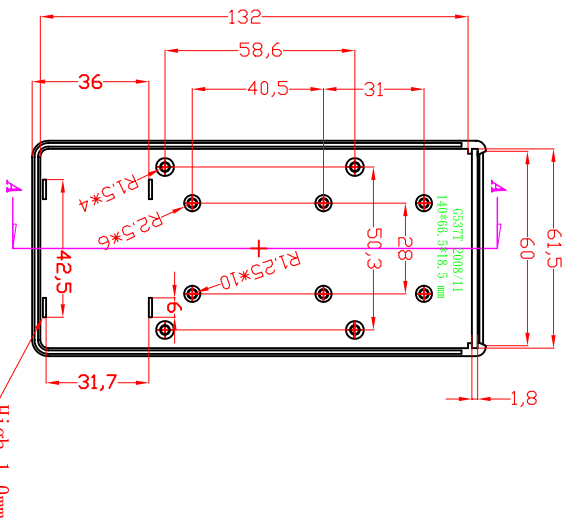
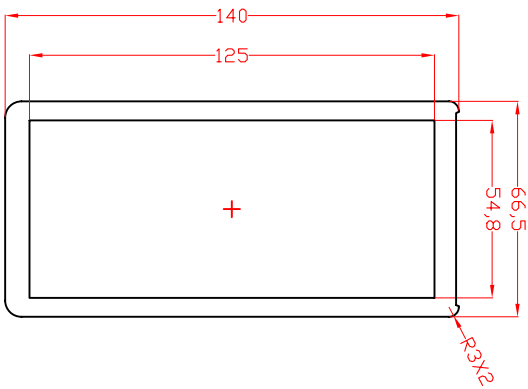
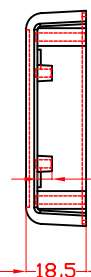


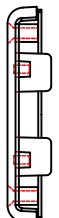
G537B(BC)-1\$,G537G(BC)-1\$



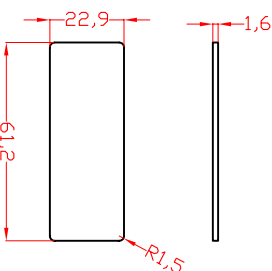
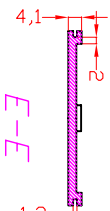
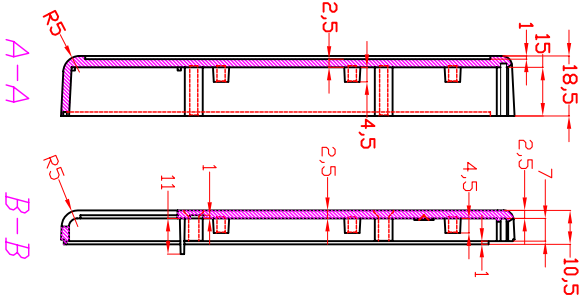
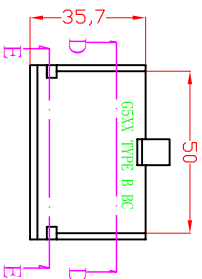
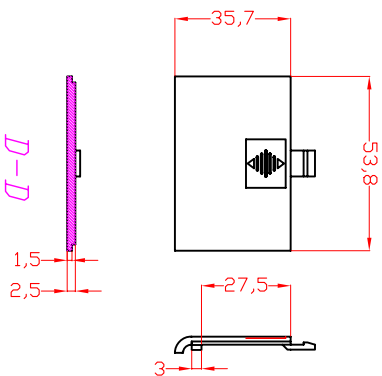
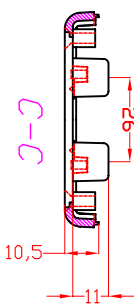
TOP



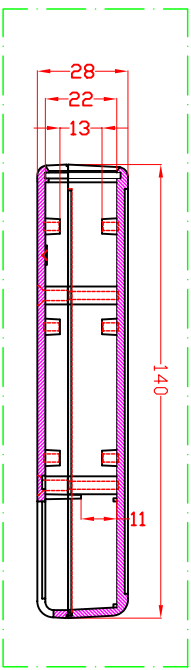
High 1.0mm



BASE



PANEL-"\$"



According to ISD 2768-m

Measuring DIM=L	Tolerance	Measuring DIM=L	Tolerance
0.5<L≤3.0 mm	±0.1 mm	30.0<L≤120.0 mm	±0.3 mm
3.0<L≤6.0 mm	±0.1 mm	120.0<L≤400.0 mm	±0.5 mm
6.0<L≤30.0 mm	±0.2 mm	400.0<L≤1000.0 mm	±0.8 mm

DESCRIPTION

ITEM NO	DESCRIPTION
G537B(BC)-1\$	BLACK(G537T+G537B+"PANEL-"\$"+B.C.)#1+M3#16 mm BLACK SCREWS *4
G537G(BC)-1\$	GRAY(G537T+G537B+"PANEL-"\$"+B.C.)#1+M3#16 mm BLACK SCREWS *4

BATTERY-COVER

宣文實業有限公司
GAINTA INDUSTRIES LTD.

DESIGN BY

DRAWN BY

CHECKED BY

SCALE

DATE

MATERIAL

TITLE

DWG NO.

REVISID

DESCRIPTION

JACKY

JACKY

JACKY

JACKY

2009/1/7

ABS

G537B(BC)-1\$,G537G(BC)-1\$

A

A

A