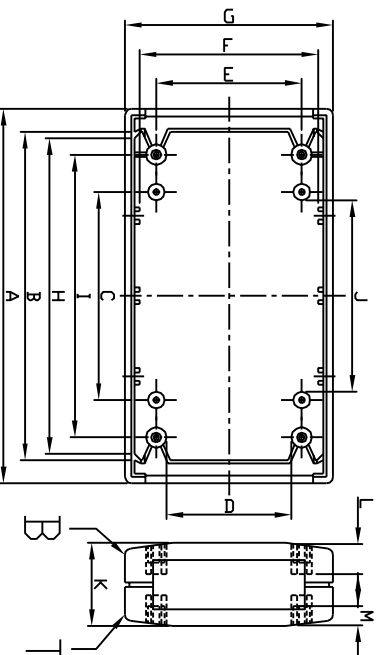
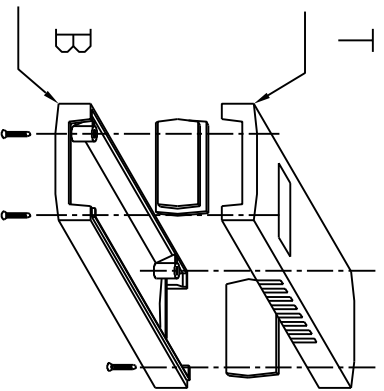


400 SERIES



| PART NO. | THE HEIGHT OF THE FILLS | | | | |
|----------|-------------------------|------|-----|------|-----|
| | L | M | L | M | |
| G401 | G430 | 5.7 | 2.6 | 5.7 | 2.6 |
| G403 | G431 | 13.7 | 2.6 | 5.7 | 2.6 |
| G404 | G434 | 13.7 | 2.6 | 13.7 | 2.6 |
| G407 | G436 | 12.0 | 4.4 | 12.0 | 4.4 |
| G410 | G438 | 22.0 | 4.0 | 12.0 | 4.4 |
| G412 | G440 | 22.0 | 4.0 | 22.0 | 4.0 |
| G413 | G443 | 13.2 | 4.1 | 13.2 | 4.1 |
| G416 | G445 | 27.4 | 4.3 | 13.2 | 4.1 |
| G418 | G447 | 27.4 | 4.3 | 27.4 | 4.3 |
| G421 | G452 | 16.4 | 3.8 | 16.4 | 3.8 |
| G422 | G454 | 36.3 | 3.5 | 16.4 | 3.8 |
| G425 | G459 | 36.3 | 3.5 | 36.3 | 3.5 |

| A | B | C | D | E | F | G | H | I | J | K | | |
|------|------|------|------|------|------|------|------|------|------|------|------|----|
| G430 | G431 | G434 | G436 | G438 | G440 | G443 | G445 | G447 | G452 | G454 | G459 | |
| G401 | G403 | G404 | G407 | G410 | G412 | G413 | G416 | G418 | G421 | G422 | G425 | |
| 90 | 90 | 90 | 120 | 120 | 120 | 150 | 150 | 150 | 190 | 190 | 190 | |
| 83 | 83 | 83 | 83 | 111 | 111 | 138 | 138 | 138 | 180 | 180 | 180 | |
| 50 | 50 | 50 | 80 | 80 | 80 | 110 | 110 | 110 | 150 | 150 | 150 | |
| 27.5 | 27.5 | 27.5 | 26 | 26 | 26 | 46 | 46 | 46 | 65 | 65 | 65 | |
| 35 | 35 | 35 | 35 | 35 | 35 | 55 | 55 | 55 | 75 | 75 | 75 | |
| 40.5 | 40.5 | 40.5 | 44 | 44 | 44 | 70 | 70 | 70 | 83 | 83 | 83 | |
| 50 | 50 | 50 | 60 | 60 | 60 | 80 | 80 | 80 | 100 | 100 | 100 | |
| 79.4 | 79.4 | 79.4 | 108 | 108 | 108 | 138 | 138 | 138 | 176 | 176 | 176 | |
| 68 | 68 | 68 | 98 | 98 | 98 | 128 | 128 | 128 | 168 | 168 | 168 | |
| 42.5 | 42.5 | 42.5 | 72 | 72 | 72 | 100 | 100 | 100 | 140 | 140 | 140 | |
| 16 | 24 | 32 | 30 | 40 | 40 | 50 | 50 | 31 | 45 | 40 | 60 | 80 |

According to ISO 2768-m

Measuring DIM.=L Tolerance

0.5<L≤3.0 mm ±0.1 mm

3.0<L≤6.0 mm ±0.1 mm

6.0<L≤30.0 mm ±0.2 mm

30.0<L≤120.0 mm ±0.3 mm

120.0<L≤400.0 mm ±0.5 mm

400.0<L≤1000.0 mm ±0.8 mm

宣又實業有限公司
GAINTA INDUSTRIES LTD.

DES'D BY
設計十
Spencer

DRA'D BY
繪圖
Spencer

CHK'D BY
核圖

SCALE
比例

DATE
日期
Sep.20.2006

MATE.
材質
ABS

TITLE
圖名
400 SERIES

DWG NO.
圖號

REVISION
版次
B

DESCRIPTION
說明