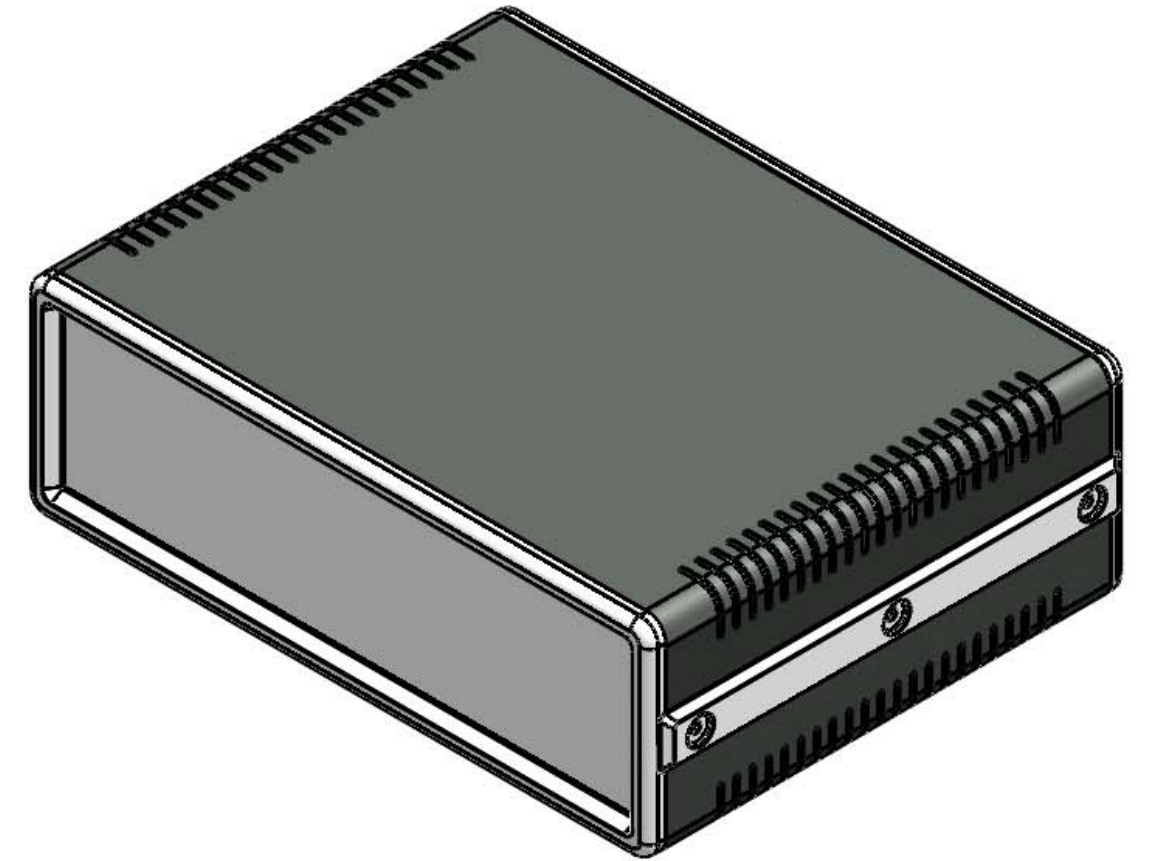



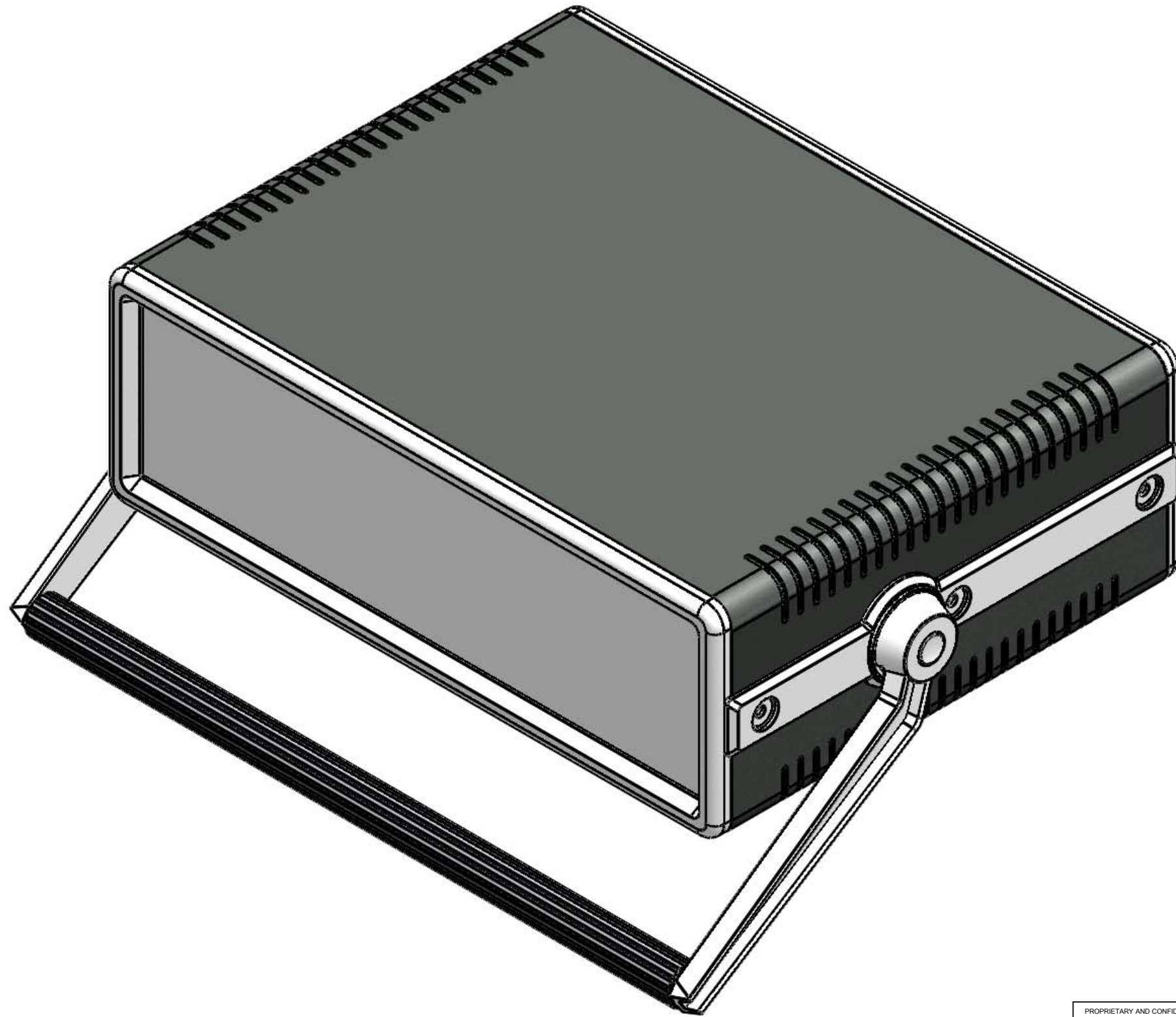
KESIT A-A





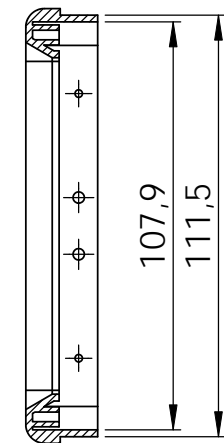
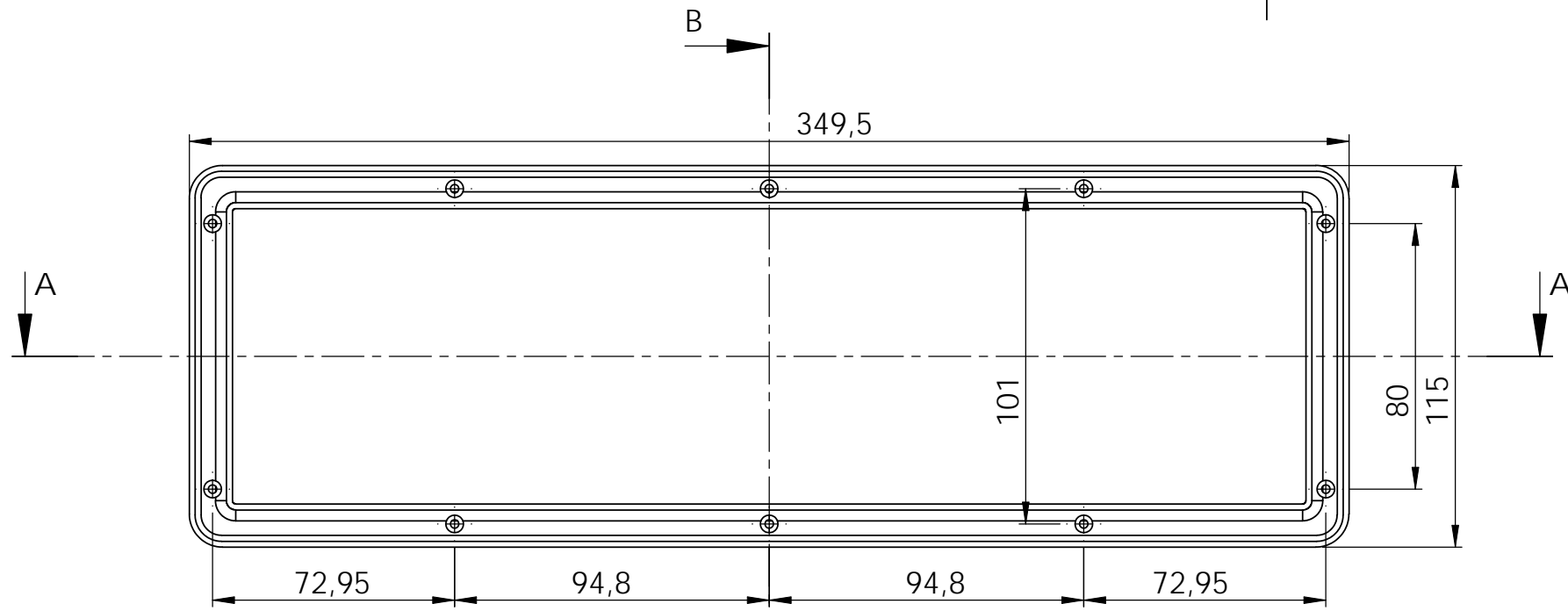
<small>PROPRIETARY AND CONFIDENTIAL. THE INFORMATION CONTAINED IN THIS DRAWING IS THE SOLE PROPERTY OF ALTINKAYA ENCLOSURES. ANY REPRODUCTION IN PART OR AS A WHOLE WITHOUT THE WRITTEN PERMISSION OF ALTINKAYA ENCLOSURES IS PROHIBITED.</small>		ARTICLE NO.:	REVISION:
<small>DRAWN</small> Dursun Daşdemir		 ENCLOSURES FOR ELECTRONICS	<small>CONTACT:</small> www.altinkaya.com.tr
<small>CHECKED</small> Ali Altınışık		<small>TITLE:</small>	
<small>COMMENTS:</small>		<small>DWG NO.</small> DT-348	
<small>MATERIAL:</small>		<small>SCALE:</small> 1:2	
<small>WEIGHT:</small>		<small>SHEET 1 OF 1</small>	

A3

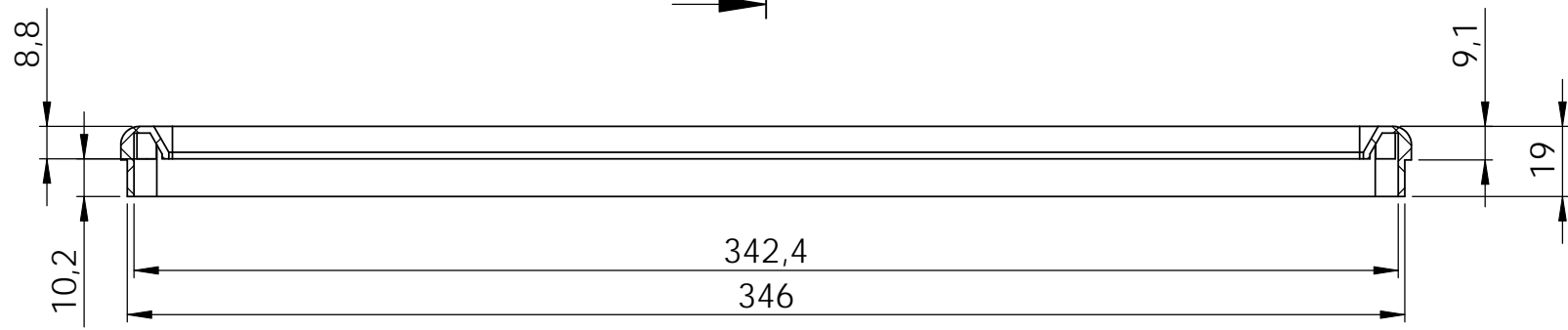




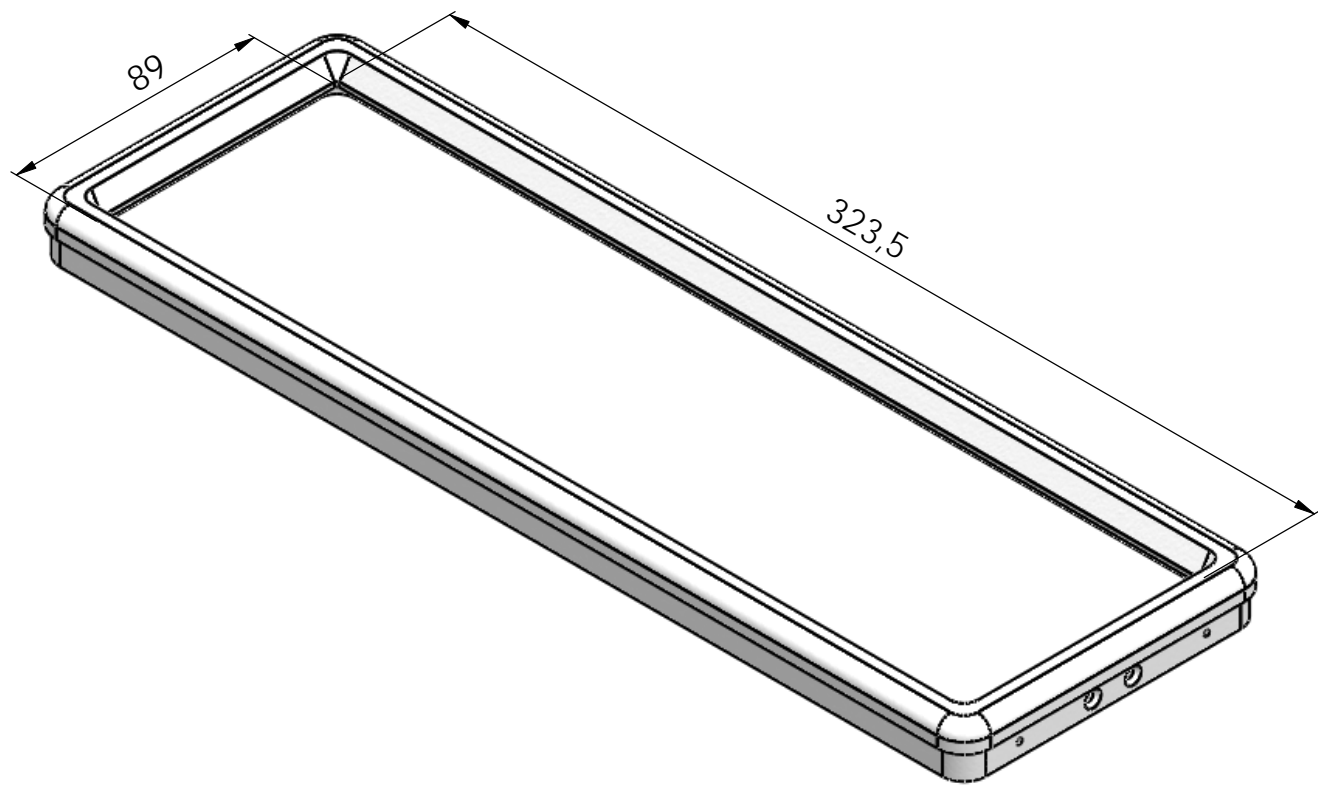
<small>PROPRIETARY AND CONFIDENTIAL THE INFORMATION CONTAINED IN THIS DRAWING IS THE SOLE PROPERTY OF ALTINKAYA ENCLOSURES. ANY REPRODUCTION IN PART OR AS A WHOLE WITHOUT THE WRITTEN PERMISSION OF ALTINKAYA ENCLOSURES IS PROHIBITED.</small>			ARTICLE NO.:	REVISION:												
<table border="1"> <tr> <td>NAME</td> <td>DATE</td> </tr> <tr> <td>DRAWN Dursun Daşdemir</td> <td></td> </tr> <tr> <td>CHECKED Ali Altınışık</td> <td></td> </tr> <tr> <td colspan="2">COMMENTS:</td> </tr> <tr> <td colspan="2">MATERIAL:</td> </tr> <tr> <td colspan="2">WEIGHT:</td> </tr> </table>			NAME	DATE	DRAWN Dursun Daşdemir		CHECKED Ali Altınışık		COMMENTS:		MATERIAL:		WEIGHT:		 ENCLOSURES FOR ELECTRONICS	CONTACT: www.altinkaya.com.tr
NAME	DATE															
DRAWN Dursun Daşdemir																
CHECKED Ali Altınışık																
COMMENTS:																
MATERIAL:																
WEIGHT:																
			TITLE:													
			DWG NO.	DT-348-K												
			SCALE:1:2	A3												
			SHEET 1 OF 1													




KESIT B-B



KESIT A-A



<small>PROPRIETARY AND CONFIDENTIAL. THE INFORMATION CONTAINED IN THIS DRAWING IS THE SOLE PROPERTY OF ALTINKAYA ENCLOSURES. ANY REPRODUCTION IN PART OR AS A WHOLE WITHOUT THE WRITTEN PERMISSION OF ALTINKAYA ENCLOSURES IS PROHIBITED.</small>		ARTICLE NO:	REVISION:
<small>DRAWN</small> Dursun Daşdemir		 <small>ENCLOSURES FOR ELECTRONICS</small>	<small>CONTACT:</small> www.altinkaya.com.tr
<small>CHECKED</small> Ali Altınışık		<small>TITLE:</small>	
<small>COMMENTS:</small>		<small>DWG NO.</small> cerceve	
<small>MATERIAL:</small>		<small>SCALE:</small> 1:2	
<small>WEIGHT:</small>		<small>SHEET 1 OF 1</small>	

A3

