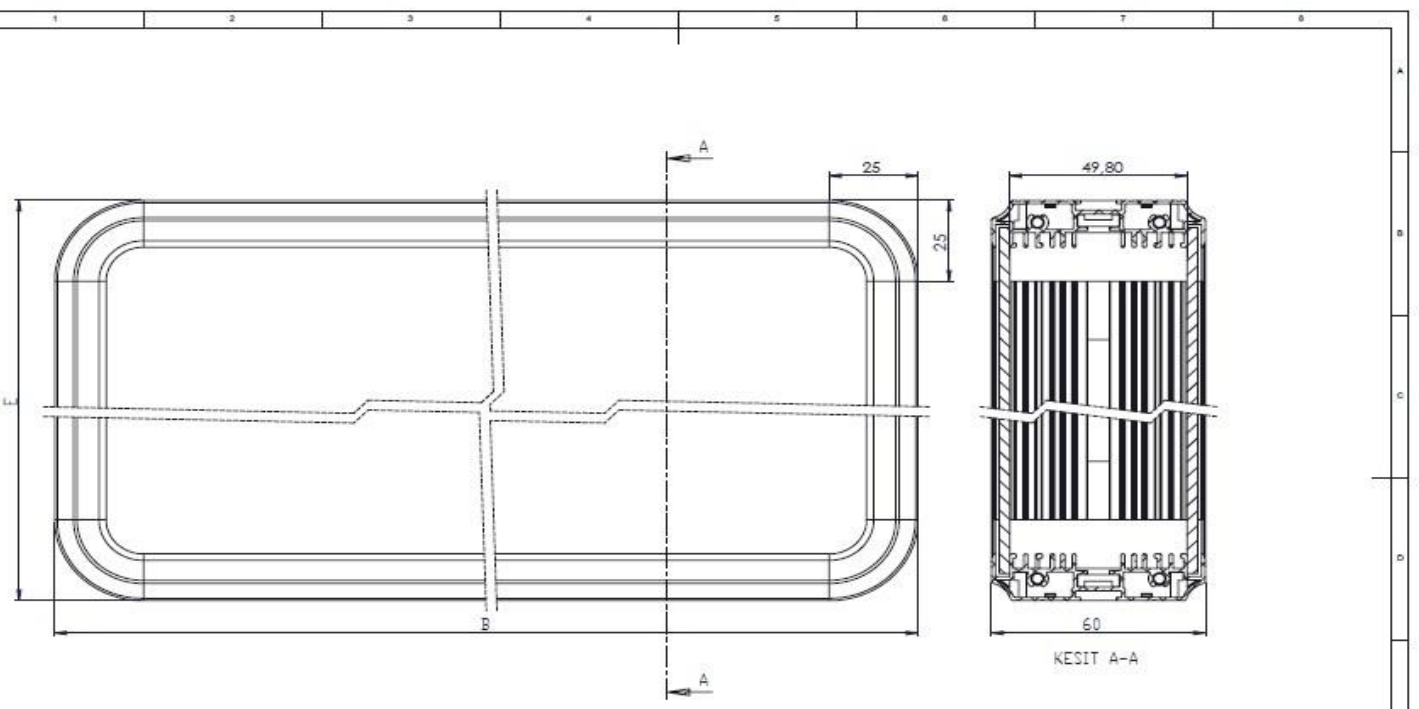
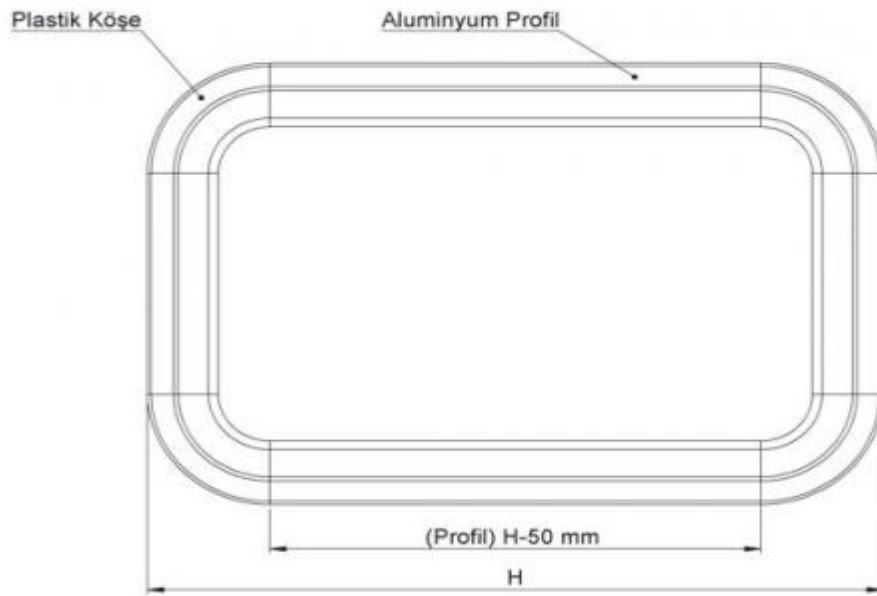
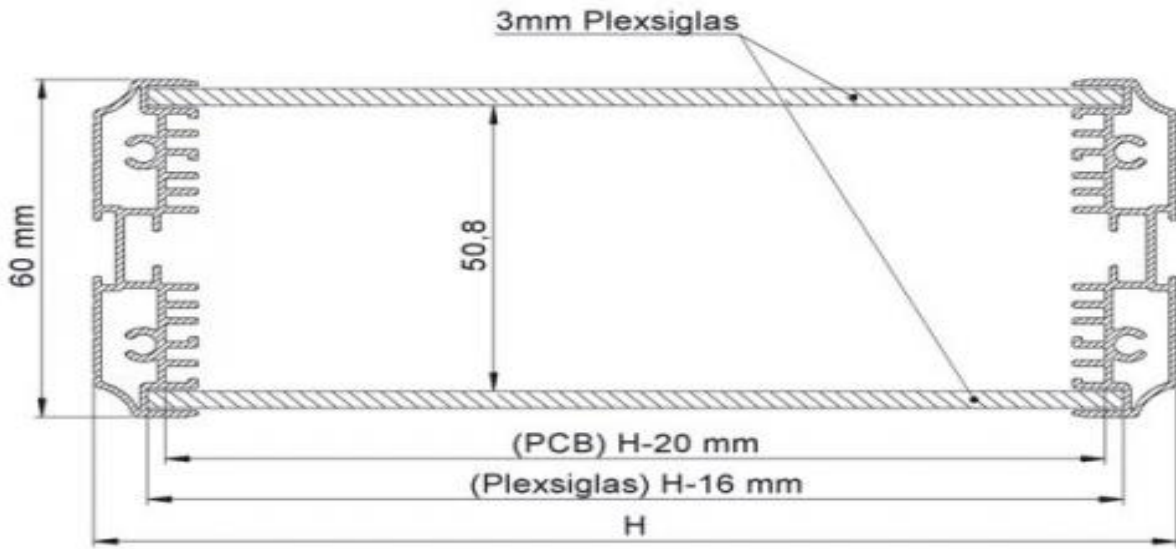
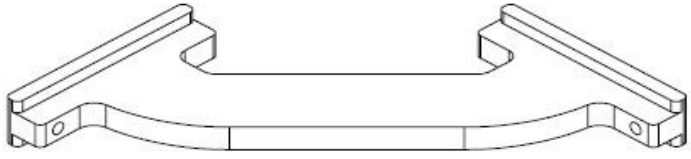
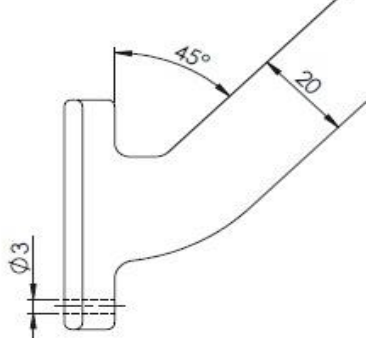
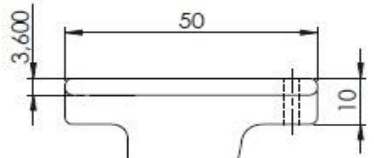
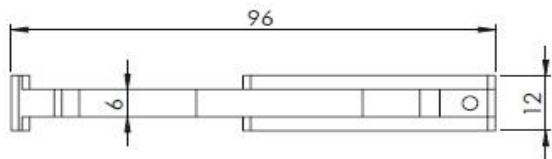
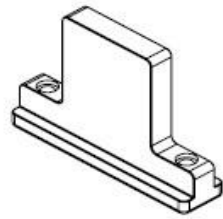
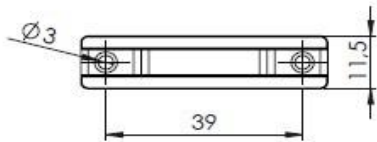
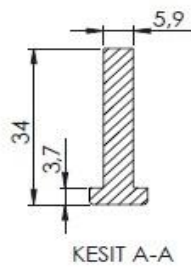
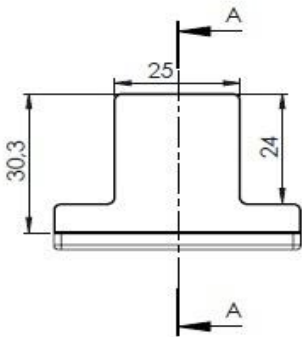
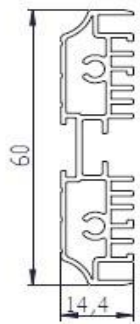


DE - 060





NAME	DATE	ARTICLE NO.	REVISION	TITLE
DRAWN Duran Degerir	25.08.11			

DE-060 Profil