

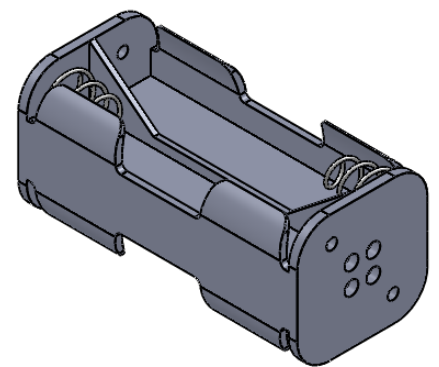
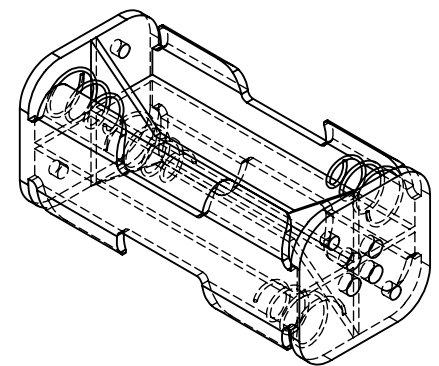
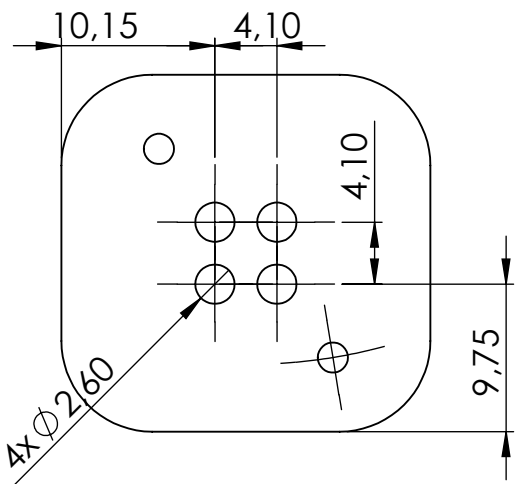
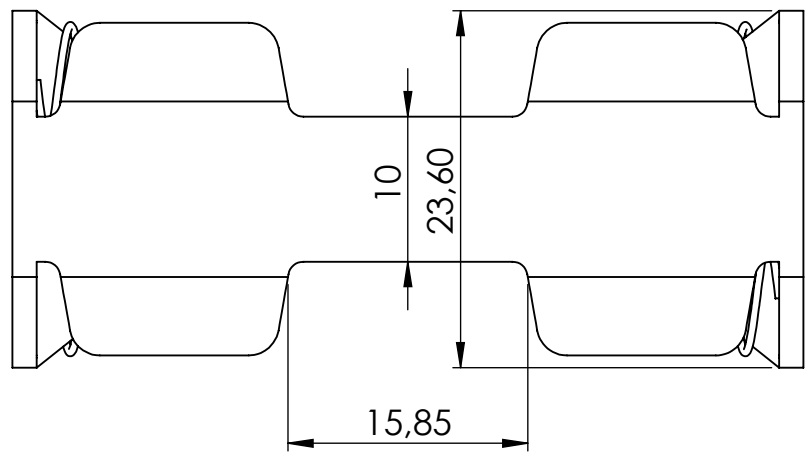
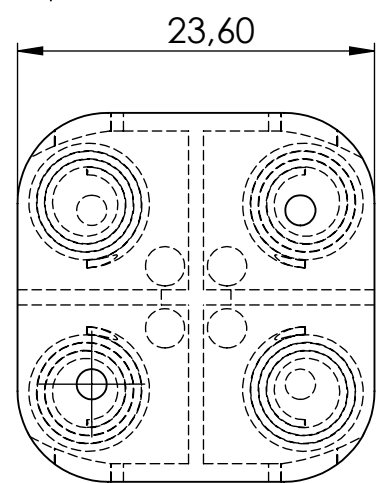
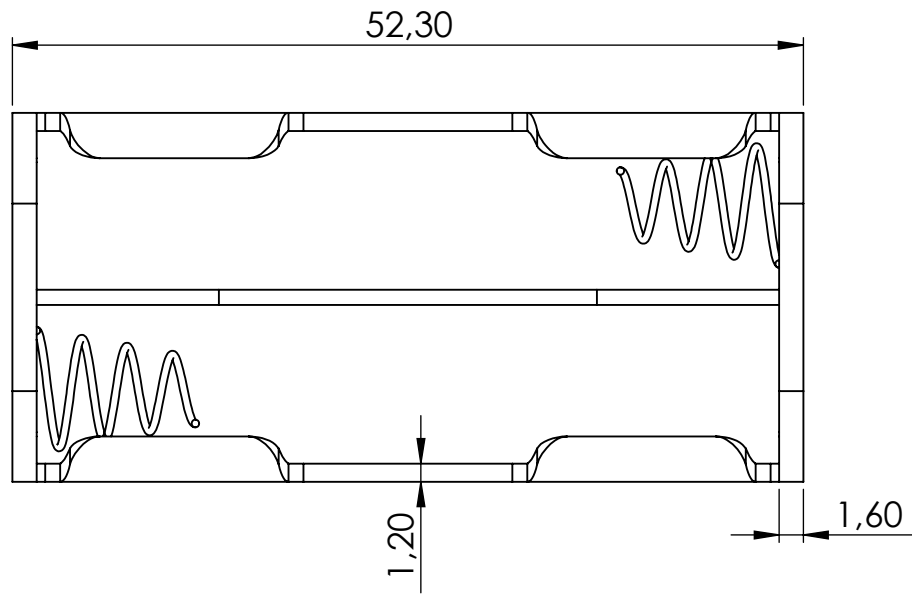
1 2 3 4 5 6

A

B

C

D



| | | | | | |
|-------|------------|------|-------------|-----------|--------|
| | NAME | DATE | ARTICLE NO: | REVISION: | TITLE: |
| DRAWN | Dursun CAN | | | | |

| | | |
|---------|---------------|-----------|
| CHECKED | Ali Altınışık | COMMENTS: |
|---------|---------------|-----------|



PROPRIETARY AND CONFIDENTIAL
 THE INFORMATION CONTAINED IN THIS DRAWING IS THE SOLE PROPERTY OF ALTINKAYA ENCLOSURES. ANY REPRODUCTION IN PART OR AS A WHOLE WITHOUT THE WRITTEN PERMISSION OF ALTINKAYA ENCLOSURES IS PROHIBITED.

DIMENSIONS ARE IN MILLIMETERS.
 DEBUR AND BREAK SHARP EDGES

MATERIAL:

| | | |
|---------|---------------|----|
| DWG NO. | BH-443-A-Body | A4 |
|---------|---------------|----|

| | | |
|---------|-----------|--------------|
| WEIGHT: | SCALE:2:1 | SHEET 1 OF 1 |
|---------|-----------|--------------|

1 2

