

按钮开关

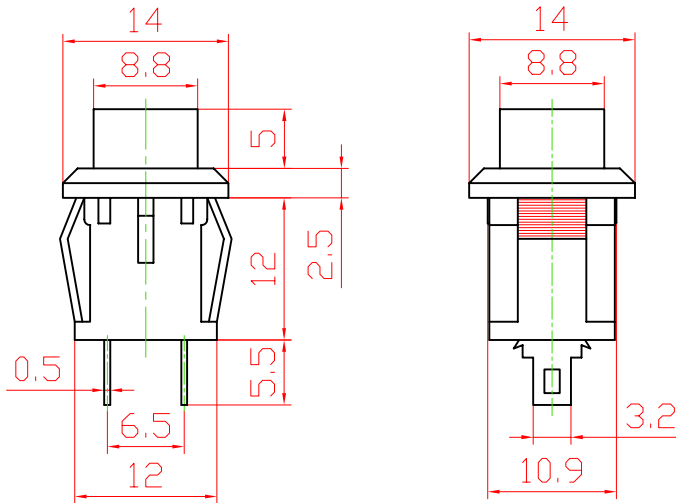
Push-Button Switch

型号(TYPE): PBS-15B

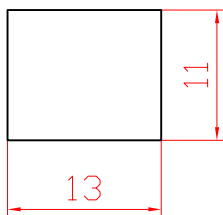
技术特性 (Specification)

1. 规格 (Rating): 3A 125VAC; 1A 250VAC
2. 接触电阻 (Contact R): $20\text{m}\Omega$ max
3. 绝缘电阻 (Insulation R): 500V DC $100\text{M}\Omega$ min
4. 耐电压 (Dielectric Strength): 1 Minute 1000V AC
5. 操作温度 (Operating Temperature): $-25^{\circ}\text{C} \sim +85^{\circ}\text{C}$
6. 电气寿命 (Electrical Life): 50,000 Cycles

外型图 (Outline Drawing)



安装尺寸 (Mounting)



电路图 (Circuitry)

